



APPROVAL SHEET
FOR
PIEZO BUZZER

深圳市銳創達電子有限公司

TAT ELECTRONICS CO., LTD.

CUSTOMER:

MODEL NUMBER: BPC2312W100-1235

CUSTOMER PART NO.:

CUSTOMER	APPROVED	CHECKED
	钟云莎	蒋寅
SIGNECTURE (Customer)	SIGNECTURE (Company)	

Add: Rm 1610,Pengji Wisdom Center,Bagua 1st Rd,Futian Dist,Shenzhen, Guangdong, China
深圳市福田区八卦一路鹏基商务时空 1610

Tel:+86-755-8237 0515
13138887759

Email: tatspeaker@tatelec.com;

[Http:// www.tatelec.com](http://www.tatelec.com).



Specification for Piezoelectric Ceramic Buzzer With built-in oscillating circuit (Pin Type)		Des.	Page 2 of 4
		Jiang wei rong	Update/2009-11-12
Model No.: BPC2312W100-1235	Part No.	Chk.	Apr.
		Jiang Yin	

1、 Technical Parameter Measuring condition

Part shall be measured under a condition (Temperature: 5 ~ 35°C, Humidity: 45% ~ 85%R.H., Atmospheric pressure: 860 ~ 1060hPa) unless the standard condition (Temperature: 25±3°C, Humidity: 60±10%R.H. Atmospheric pressure: 860 ~ 1060hPa) is regulated to measure.

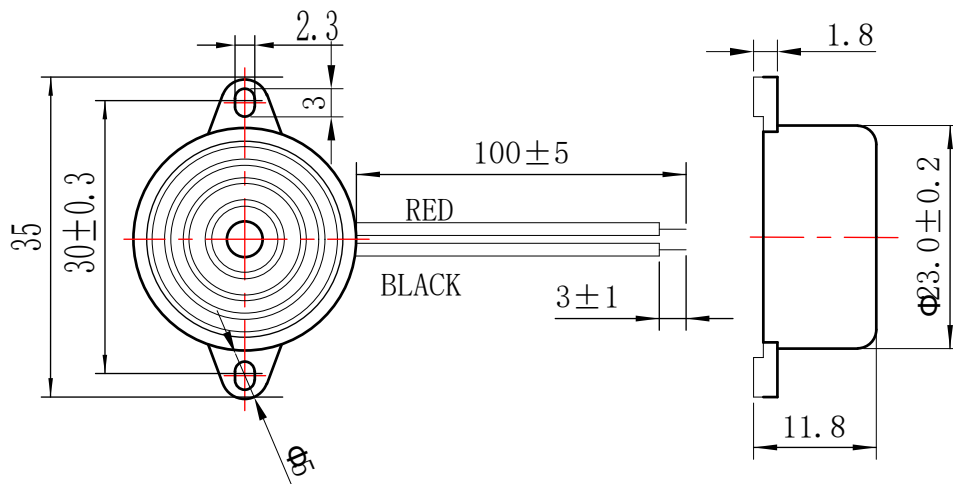


1	Rated Voltage	12VDC
2	Operating Voltage	6- 15 VDC
3	Rated Current	Max.20mA, at12VDC
4	Sound Output at 30cm	Min.85dB, at 12VDC
5	Resonant Frequency	3500 ± 500 Hz
6	Tone	Continuous
7	Operating Temperature	-20 - +70°C
8	Storage Temperature	-30 - +80°C
9	RoHS	Yes
10	Weight	Approx 4.5g

2、 Dimensions

Unit: mm

Tolerance: ±0.5mm Except Specified



*Housing Material: Black ABS Lead Wire: UL1007 28#



Specification for Piezoelectric Ceramic Buzzer With built-in oscillating circuit (Pin Type)		Des.	Page 3 of 4
		Jiang wei rong	Update/2009-11-12
Model No.: BPC2312W100-1235	Part No.	Chk.	Apr.
		Jiang Yin	

3、Reliability Test

After any following tests the part shall meet specifications without any degradation in appearance and performance except SPL. SPL shall not deviate more than -10 dB from the initial value

3.1 Ordinary Temperature Life Test

The part shall be subjected to 96 hours at $25 \pm 10^\circ\text{C}$. Input rated voltage
Resonant frequency, 1/2 duty Square wave.

3.2 High Temperature Test

The part shall be capable of with standing a storage temperature of $+80^\circ\text{C}$ for 96 hours.

3.3 Low Temperature Test

The part shall be capable of with standing a storage temperature of -30°C for 96 hours.

3.4 Humidity Test

Temperature: $+40^\circ\text{C} \pm 3^\circ\text{C}$ Relative Humidity: 90%~95% Duration: 48 hours
and expose to room temperature for 6 hours

3.5 Temperature Shock Test

Temperature: 70°C /1hour \rightarrow 25°C /3hours \rightarrow -30°C /1hour \rightarrow 25°C /3hours (1cycle)
Total cycle: 10 cycles

3.6 Drop Test

Standard Packaging From 75cm (Drop on hard wood or board of 5cm thick, three sides, six plain.)

3.7 Vibration Test

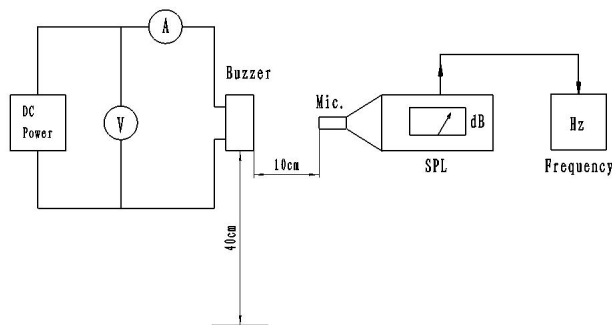
Vibration: 1000cycles /min. Amplitude: 1.5mm, Duration: 1 hour in each 3 axes

Note:

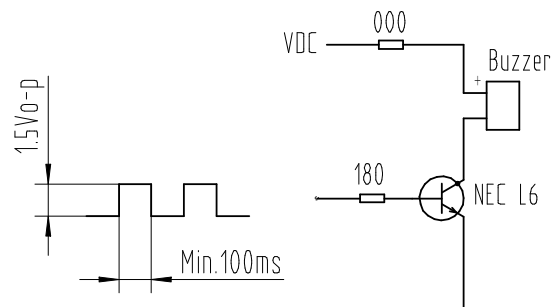
As this product is not protected from foreign material entering, please make sure that any foreign materials (e.g. magnetic powder, washing solvent, flux, corrosive gas) do not enter this product in your production processes. The functional degradation (e.g. SPL down) may occur if foreign material enter it.

4、Electrical And Acoustical Measuring Condition

a) Recommended Setting



b) Recommended Test Circuit





Specification for Piezoelectric Ceramic Buzzer With built-in oscillating circuit (Pin Type)		Des.	Page 4 of 4
		Jiang wei rong	Update/2009-11-12
Model No.: BPC2312W100-1235	Part No.	Chk.	Apr.
		Jiang Yin	

5.其他信息

包装要求	1.用塑料袋; 30*40cm; 200PCS/袋 号料号: F6- 611 2.内箱 63.5*53.5 200PCS/盒 料号: F6- 051 3.外箱用 40*39*25CM 1600PCS/箱 料号: F6-007		
唛头要求			

6.变更记录

日期	变更项目	备注	确认人